



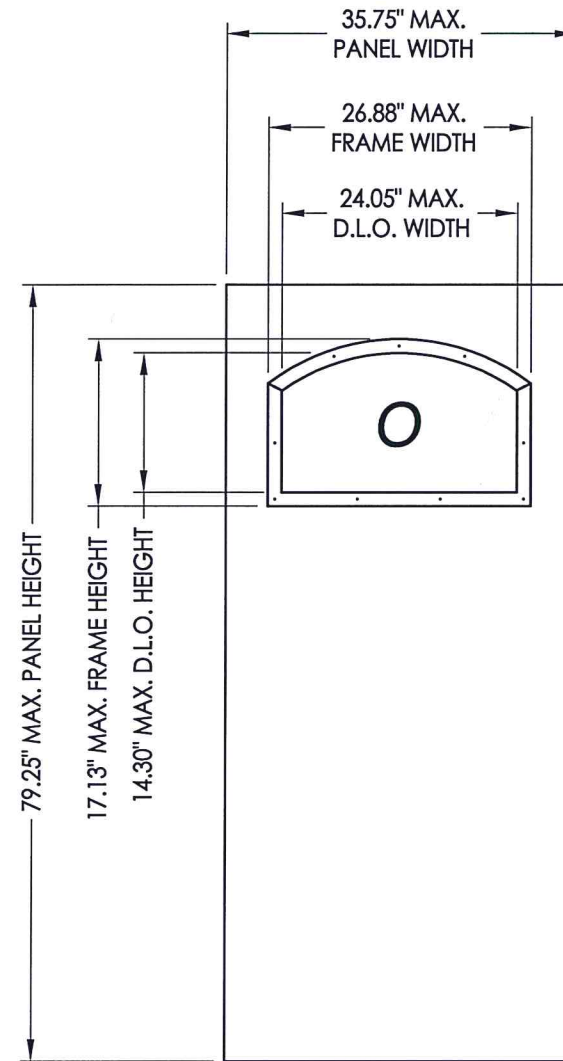
215 EAST ROOSEVELT AVE.
ZEELAND, MI 49464

ODL / WESTERN REFLECTIONS
Craftsman Lite Frame System
DOORGLASS ASSEMBLY
FOR GLAZING UP TO A 3'0 x 6'8" SINGLE PANEL
"NON-IMPACT"

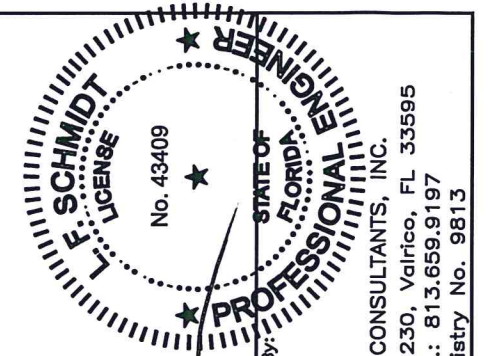
GENERAL NOTES

1. This product has been evaluated and is in compliance with the 7th Edition (2020) Florida Building Code (FBC) structural requirements excluding the High Velocity Hurricane Zone (HVHZ).
2. When used in areas requiring wind borne debris protection this product is required to be protected with an impact resistant covering that complies with FBC Sections 1609.1.2 & R301.2.1.2.
3. This product is approved for use as a substitute doorglass assembly in conjunction with a glazed steel or fiberglass side hinged swing door possessing a comparable current Florida Statewide product approval.
4. The design pressure (DP) rating shall be the lesser of the DP rating shown on sheet 1 of this approval or the DP rating shown in the glazed steel or fiberglass side hinged swing door approval being used.
5. The door panel and lite opening size shall not exceed the sizes shown in this approval or the glazed steel or fiberglass side hinged swing door approval being used.
6. This product is approved for use in the door panels as specified on sheet 3 of this approval. Substitution into a similar product may be approved for use by the local Authority Having Jurisdiction. In all cases, the glazed steel or fiberglass door used must possess a comparable current Florida Statewide product approval.

TABLE OF CONTENTS	
SHEET#	DESCRIPTION
1	Typical elevations, design pressures and general notes
2	Frame & glazing details & bill of materials
3	Fiberglass & steel door panels



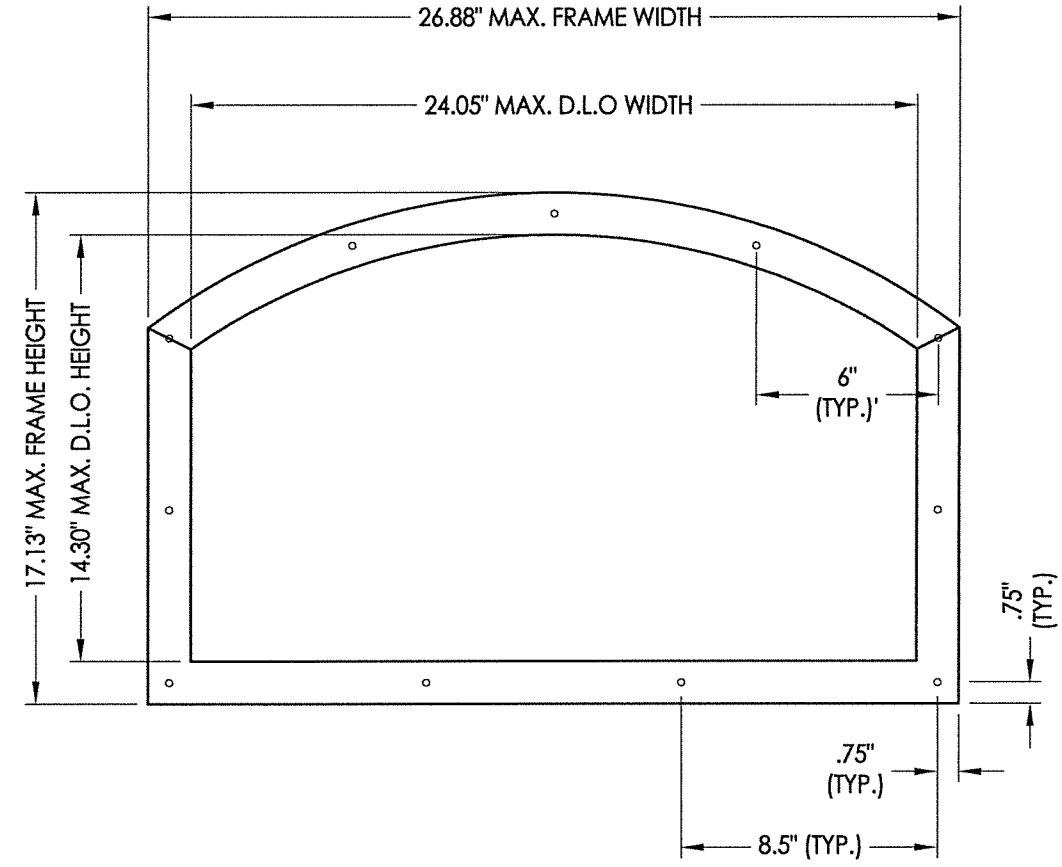
DESIGN PRESSURE RATING (PSF)		
DOOR TYPE	POSITIVE	NEGATIVE
6'- 8" Steel	+100.0	-100.0
6'- 8" Fiberglass	+100.0	-100.0



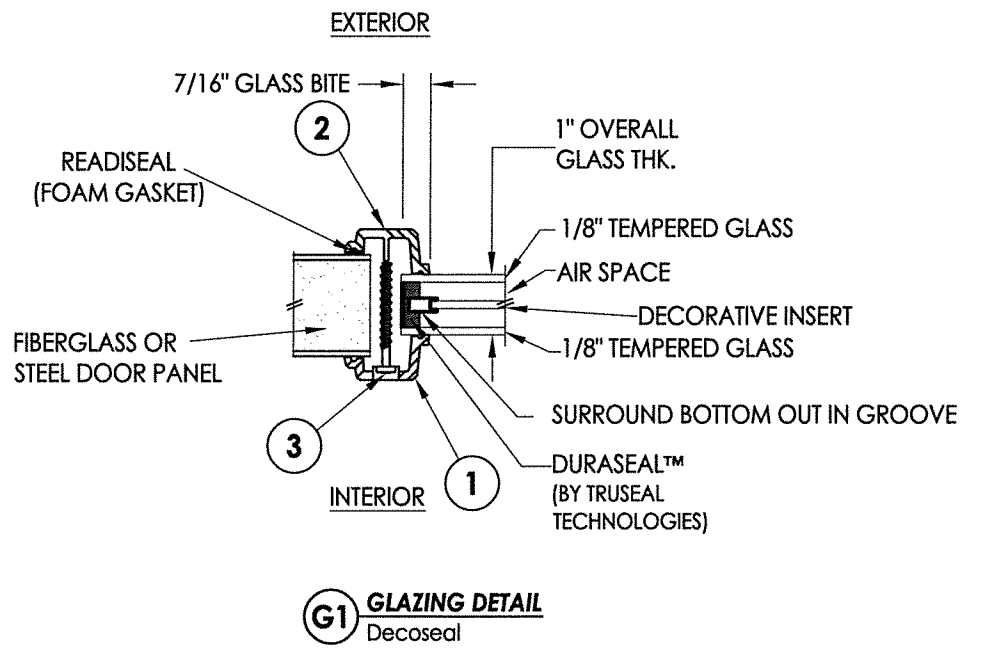
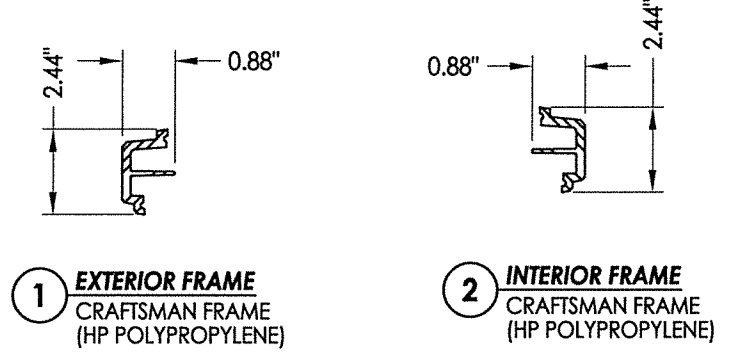
August 07, 2020
 Documents Prepared By:
 Lyndon F. Schmidt
 P.E. No. 43409
 R.W. BUILDING CONSULTANTS, INC.
 P.O. Box 230, Vairico, FL 33595
 Phone No.: 813.659.9197
 FBPE Registry No. 9813

PRODUCT:		CRAFTSMAN LITE FRAME SYSTEM	
PART OR ASSEMBLY:		TYPICAL ELEVATIONS, DESIGN PRESSURES & GENERAL NOTES	
NO.	DATE	BY	REVISIONS
3	8/05/20	DAC	UPDATE TO 7TH ED. (2020) FBC
2	9/26/17	JK	UPDATE TO 6TH ED. (2017) FBC
1	3/28/15	JK	UPDATE TO 5TH ED. (2014) FBC
DATE: 4/15/13			
SCALE: N.T.S.			
DWG. BY: JK			
CHK. BY: LFS			
DRAWING NO.: FL-15260.10			
SHEET 1 OF 3			

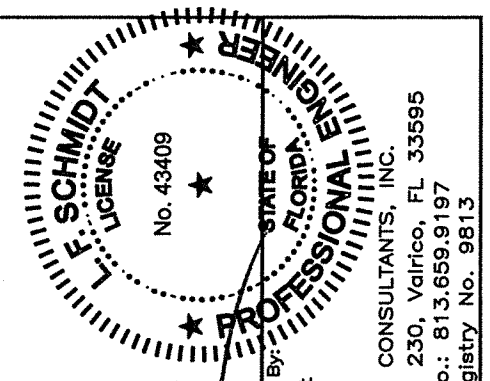
BILL OF MATERIALS		
ITEM #	DESCRIPTION	MATERIAL
1	INTERIOR FRAME (CRAFTSMAN)	HP-PRO
2	EXTERIOR FRAME (CRAFTSMAN)	HP-PRO
3	#8 X 1-1/2" PPH SMS (HI-LO THREAD)	STEEL



CRAFTSMAN FRAME SYSTEM
HP Polypropylene



G1 GLAZING DETAIL
Decoseal

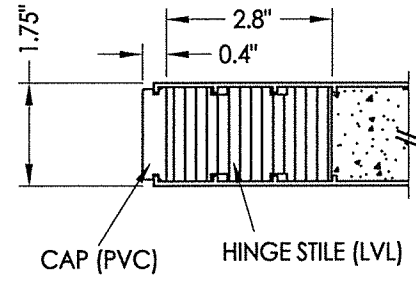


LFS
 August 07, 2020
 Documents Prepared By:
 Lyndon F. Schmidt
 P.E. No. 43409
 R.W. BUILDING CONSULTANTS, INC.
 P.O. Box 230, Valrico, FL 33595
 Phone No.: 813.659.9197
 FBPE Registry No. 9813

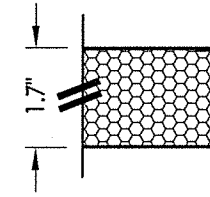
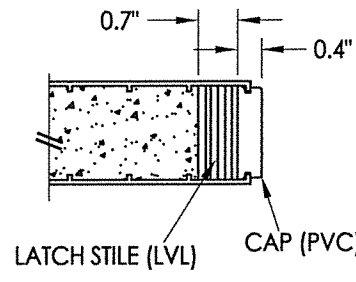
PRODUCT:	CRAFTSMAN LITE FRAME SYSTEM
PART OR ASSEMBLY:	FRAME & GLAZING DETAILS & BILL OF MATERIALS

NO.	DATE	REVISIONS	BY
3	8/05/20	UPDATE TO 7TH ED. (2020) FBC	DAC
2	9/26/17	UPDATE TO 6TH ED. (2017) FBC	JK
1	3/28/15	UPDATE TO 5TH ED. (2014) FBC	JK

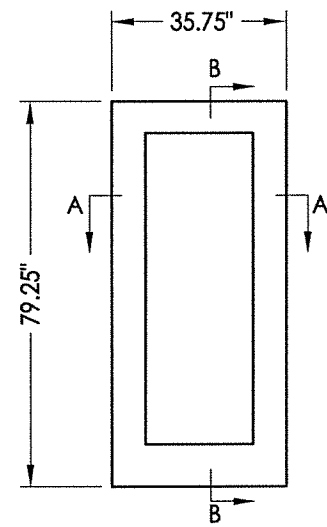
DATE:	4/15/13
SCALE:	N.T.S.
DWG. BY:	JK
CHK. BY:	LFS
DRAWING NO.:	FL-15260.10
SHEET	2 OF 3



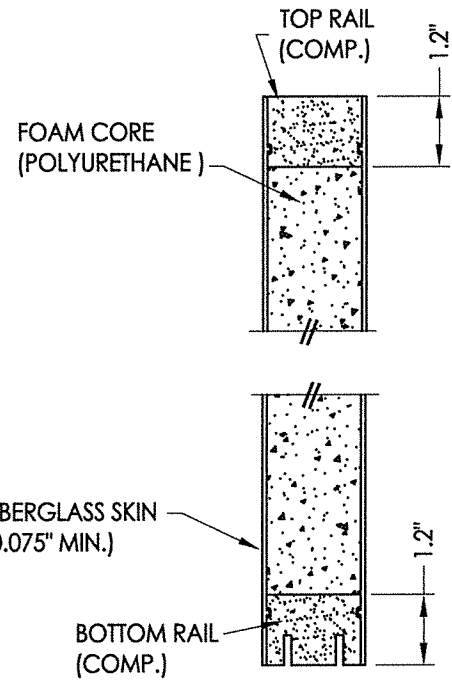
SECTION A-A



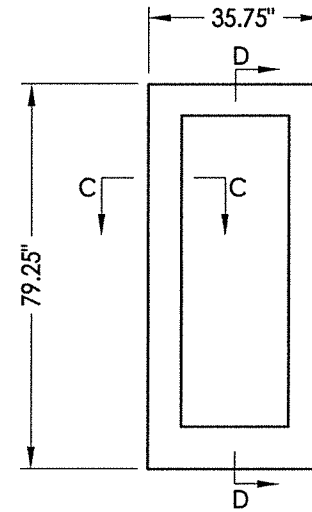
SECTION C-C



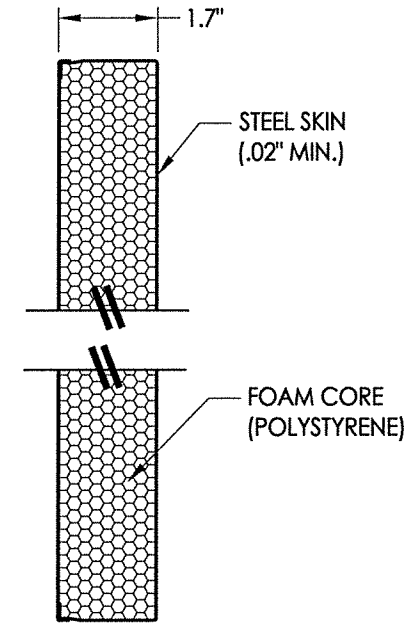
FIBERGLASS DOOR PANEL
Plastpro 6' 8"



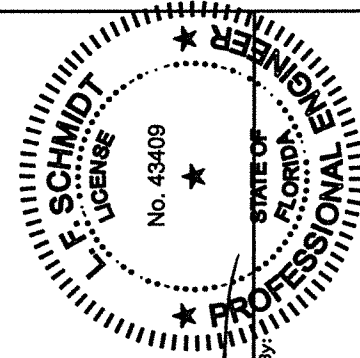
SECTION B-B



STEEL DOOR PANEL
Masonite 6' 8"



SECTION D-D



Lyndon F. Schmidt
 August 07, 2020
 Documents Prepared By:
 Lyndon F. Schmidt
 P.E. No. 43409

PRODUCT:
 CRAFTSMAN
 LITE FRAME SYSTEM

PART OR ASSEMBLY:
 FIBERGLASS & STEEL
 DOOR PANELS

NO.	DATE	BY	REVISIONS
3	8/05/20	DAC	UPDATE TO 7TH ED. (2020) FBC
2	9/26/17	JK	UPDATE TO 6TH ED. (2017) FBC
1	3/28/15	JK	UPDATE TO 5TH ED. (2014) FBC

DATE: 4/15/13
 SCALE: N.T.S.
 DWG. BY: JK
 CHK. BY: LFS
 DRAWING NO.:
 FL-15260.10
 SHEET 3 OF 3

RW
 BUILDING CONSULTANTS, INC.
 P.O. Box 230, Valrico, FL 33595
 Phone No.: 813.659.9197
 FBPE Registry No. 9813